

Flush Mount Down Light



Mounting Instructions

Note:

- Lumitec Flush Mount Down Lights should be installed by qualified persons only.
- Your Lumitec Flush Mount Down Lights are fully sealed, and suitable for mounting in interior and exterior spaces. However they are not designed to be permanently mounted underwater.
- Light circuits should be protected with an appropriately sized fuse or circuit breaker. Each light draws approximately 225mA @ 12VDC / 113mA @ 24VDC. Fuses on circuits with multiple lights should be sized accordingly.
- Lights may get warm or hot to the touch during operation. This is normal and will not cause damage to typical mounting surfaces, including fiberglass and wood and fabrics. The lights should NOT be mounted on highly flammable substrates or mounting surfaces which are particularly sensitive to high temperatures.

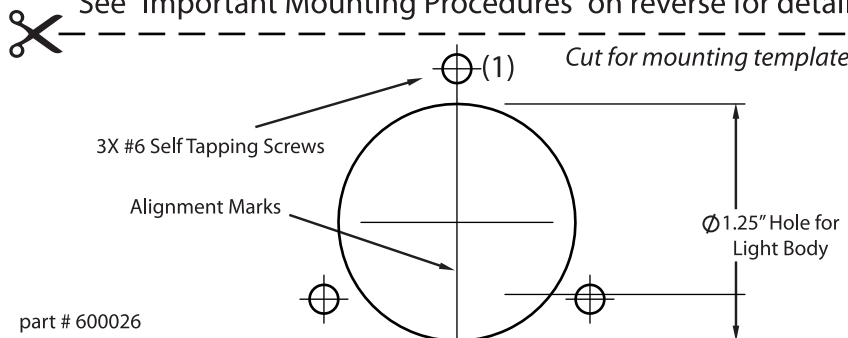
Mounting:

- Use the template below to drill the appropriately sized holes for the light body and mounting screws.
- Mount the mounting plate to the mounting surface using the screws provided. The mounting plate must be installed with the text facing out.
- Connect the wires on the light to the vessel's DC power system. Device is polarity sensitive. The black wire should be connected to the vessel's (-) (or ground), and the white or red wire should be connected to the vessel's +12VDC or +24VDC supply.
- Gently insert the light body into the hole in the mounting plate. Align the light body so that the tabs engage on the mounting plate. Rotate the light body until you hear a 'click'. The yellow rubber installation tool (included) may be required to create sufficient torque to seat the device. This yellow rubber installation tool should be saved as it has many other uses, such as a catsup bottle opener, a mini-Frisbee, a coaster for small shot glasses, etc.

Operation:

- Light may be controlled by any SPST (eg toggle or rocker) switch.
- For 4-color operation:
 - Your light offers 4 colors of light output to suit any mood.
 - To change colors, simply turn the lights off, and then immediately back on. Repeat this process to cycle through all available colors.
 - The light will 'reset' after being off for approximately 2 seconds. This ensures that the red light illuminates when the light is again turned on.
 - Multiple lights may be installed on the same switch circuit. In the unlikely event that lights become 'out of sync' (eg lights illuminating different colors) simply reset the lights by turning off for 3 seconds.
- For 2-color dimmed lights:
 - The high-output white light is dimmable to reduce power consumption and create a softer look.
 - To dim the white light: Note the slow ramp of the light intensity when the white light is illuminated. When the light reaches the desired intensity, turn the light off, then immediately back on. This will hold the light at the desired intensity.
 - To change colors, simply turn the lights off, and then immediately back on after the dimming stage is complete.
 - Note that the light will 'reset' after being off for approximately 2 seconds. This ensures that the white light illuminates when the light is again turned on.

See "Important Mounting Procedures" on reverse for details.



part # 600026

Flush Mount Down Light



Mounting Instructions

Note:

- Lumitec Flush Mount Down Lights should be installed by qualified persons only.
- Your Lumitec Flush Mount Down Lights are fully sealed, and suitable for mounting in interior and exterior spaces. However they are not designed to be permanently mounted underwater.
- Light circuits should be protected with an appropriately sized fuse or circuit breaker. Each light draws approximately 225mA @ 12VDC / 113mA @ 24VDC. Fuses on circuits with multiple lights should be sized accordingly.
- Lights may get warm or hot to the touch during operation. This is normal and will not cause damage to typical mounting surfaces, including fiberglass and wood and fabrics. The lights should NOT be mounted on highly flammable substrates or mounting surfaces which are particularly sensitive to high temperatures.

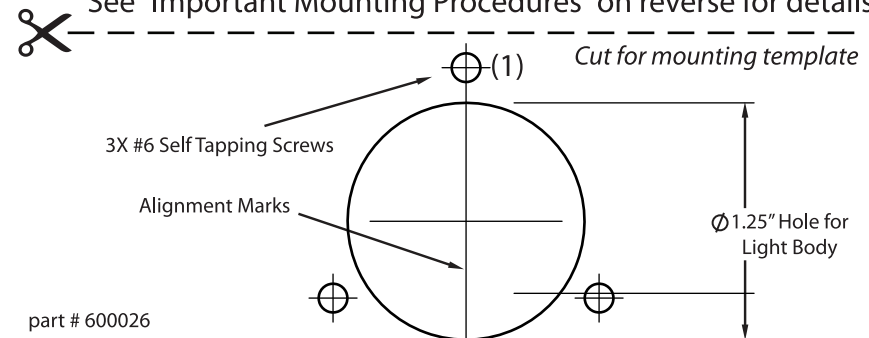
Mounting:

- Use the template below to drill the appropriately sized holes for the light body and mounting screws.
- Mount the mounting plate to the mounting surface using the screws provided. The mounting plate must be installed with the text facing out.
- Connect the wires on the light to the vessel's DC power system. Device is polarity sensitive. The black wire should be connected to the vessel's (-) (or ground), and the white or red wire should be connected to the vessel's +12VDC or +24VDC supply.
- Gently insert the light body into the hole in the mounting plate. Align the light body so that the tabs engage on the mounting plate. Rotate the light body until you hear a 'click'. The yellow rubber installation tool (included) may be required to create sufficient torque to seat the device. This yellow rubber installation tool should be saved as it has many other uses, such as a catsup bottle opener, a mini-Frisbee, a coaster for small shot glasses, etc.

Operation:

- Light may be controlled by any SPST (eg toggle or rocker) switch.
- For 4-color operation:
 - Your light offers 4 colors of light output to suit any mood.
 - To change colors, simply turn the lights off, and then immediately back on. Repeat this process to cycle through all available colors.
 - The light will 'reset' after being off for approximately 2 seconds. This ensures that the red light illuminates when the light is again turned on.
 - Multiple lights may be installed on the same switch circuit. In the unlikely event that lights become 'out of sync' (eg lights illuminating different colors) simply reset the lights by turning off for 3 seconds.
- For 2-color dimmed lights:
 - The high-output white light is dimmable to reduce power consumption and create a softer look.
 - To dim the white light: Note the slow ramp of the light intensity when the white light is illuminated. When the light reaches the desired intensity, turn the light off, then immediately back on. This will hold the light at the desired intensity.
 - To change colors, simply turn the lights off, and then immediately back on after the dimming stage is complete.
 - Note that the light will 'reset' after being off for approximately 2 seconds. This ensures that the white light illuminates when the light is again turned on.

See "Important Mounting Procedures" on reverse for details.



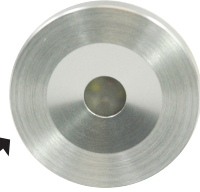
part # 600026



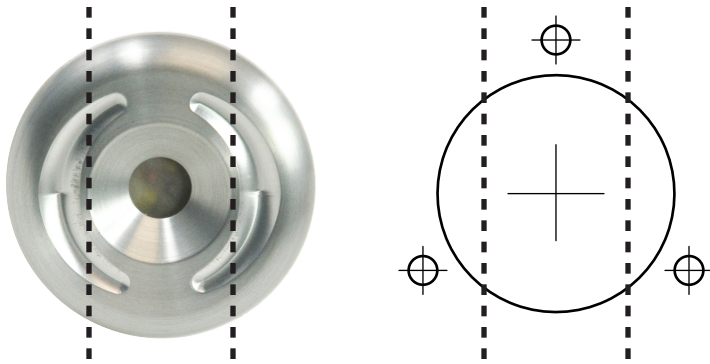
Important Mounting Procedures

Cut and use the mounting template below for visual alignment of the light. If the light housing has no need for visual alignment, then please disregard these instructions.

No need for visual alignment



Use the dashed alignment lines for desired position of the light housing.



The light housing will have 3 different mounting positions with 120 degrees of separation from each other. For proper positioning, rotate housing counter clockwise approximately 30 degrees from desired orientation, place housing onto mounting bracket, then rotate clockwise approximately 30 degrees until part snaps into locking position.

Limited Warranty

The product is warranted to be free from defects in workmanship and materials for a period of one year from the date of original purchase.

Lumitec is not responsible for product failure caused by abuse, neglect, improper installation, or failure in applications other than those for which it was designed, intended, and marketed.

Should your Lumitec product prove defective during the warranty period, promptly notify Lumitec and return product with freight prepaid. Lumitec will, at its option, repair or replace the product or defective portion without charge for parts or labor, or, at Lumitec's option, refund purchase price. Products repaired or replaced under this warranty shall be warranted for the unexpired portion of the warranty applying to the original product(s). No warranty or affirmation of fact, express or implied, other than as set forth in the limited warranty statement above is made or authorized by Lumitec, Inc. Any liability for consequential and incidental damages is expressly disclaimed. Lumitec liability in all events is limited to, and shall not exceed, the purchase price paid.

Lumitec, Inc.
1450 SW 10th Street, Suite 2
Delray Beach, FL 33444
lumiteclighting.com

part # 600026



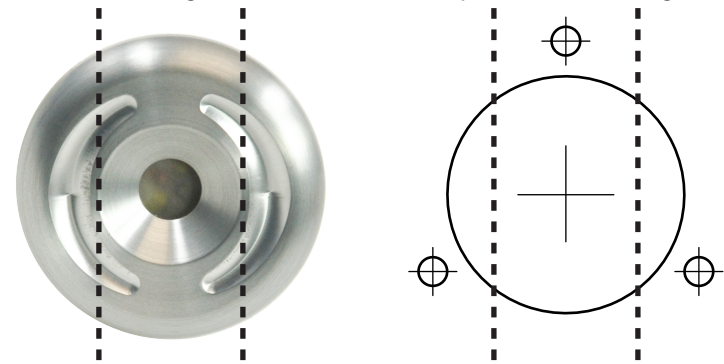
Important Mounting Procedures

Cut and use the mounting template below for visual alignment of the light. If the light housing has no need for visual alignment, then please disregard these instructions.

No need for visual alignment



Use the dashed alignment lines for desired position of the light housing.



The light housing will have 3 different mounting positions with 120 degrees of separation from each other. For proper positioning, rotate housing counter clockwise approximately 30 degrees from desired orientation, place housing onto mounting bracket, then rotate clockwise approximately 30 degrees until part snaps into locking position.

Limited Warranty

The product is warranted to be free from defects in workmanship and materials for a period of one year from the date of original purchase.

Lumitec is not responsible for product failure caused by abuse, neglect, improper installation, or failure in applications other than those for which it was designed, intended, and marketed.

Should your Lumitec product prove defective during the warranty period, promptly notify Lumitec and return product with freight prepaid. Lumitec will, at its option, repair or replace the product or defective portion without charge for parts or labor, or, at Lumitec's option, refund purchase price. Products repaired or replaced under this warranty shall be warranted for the unexpired portion of the warranty applying to the original product(s). No warranty or affirmation of fact, express or implied, other than as set forth in the limited warranty statement above is made or authorized by Lumitec, Inc. Any liability for consequential and incidental damages is expressly disclaimed. Lumitec liability in all events is limited to, and shall not exceed, the purchase price paid.

Lumitec, Inc.
1450 SW 10th Street, Suite 2
Delray Beach, FL 33444
lumiteclighting.com

part # 600026