



PHC SUPERFLUSH

The PHC Superflush utilizes the world renowned PHII pump. A simple quarter turn of the inlet water valve control knob allows the bowl to be pumped dry without using additional water. This provides the user with the option of emptying the bowl while in heavy seas. A special air vent reduces back pressure. The diameter of the housing means each stroke is much more efficient than any of its smaller competitors which means less strokes to flush the toilet.

Water is supplied by double action piston pump that simultaneously draws new flush water as it discharges the wastewater. By using raw water for flushing, on board water supplies can be reserved for essential freshwater use.



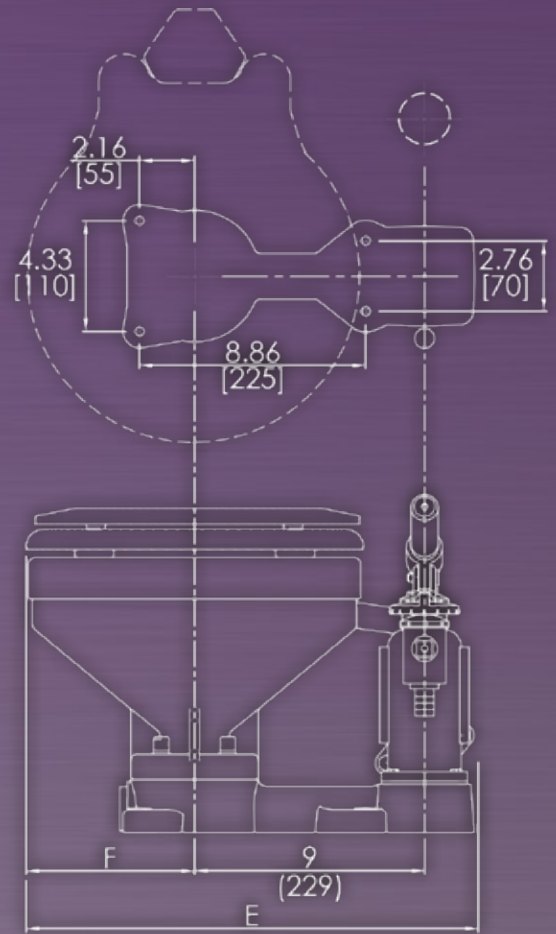
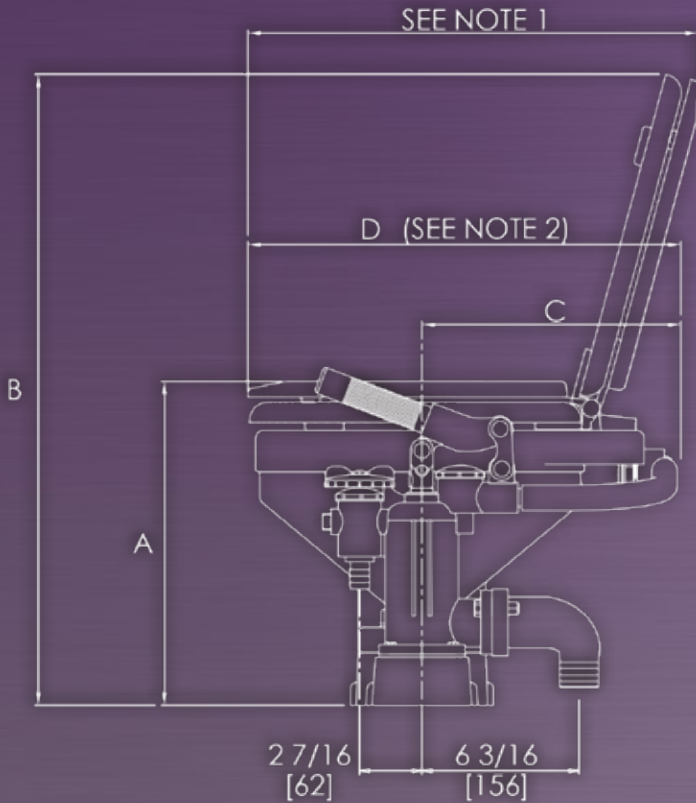
SIMPLE DESIGN MEANS ECONOMICAL, TROUBLE-FREE QUIET OPERATION

- Powerful flushing action – lever handle more efficient than vertical handles
- Newly designed base provides cleaner installation and direct bolt hole pattern to competitive model
- Less Strokes per use – housing is 66% larger than competitive units allowing for faster clearing of the bowl
- Joker valve is the best in the industry for trouble free operation
- New Slow Close seat with special bumpers to prevent the seat from sliding sideways
- Simple and flexible installation for mounting above or below waterline
- Easy to clean and maintain
- Dry pumping is easier because air vent reduces back pressure

Raritan products are chosen by powerboat, sailboat, houseboat, and RV owners and manufacturers the world over for their dependability, environmental responsibility, simplicity of installation, operation, and maintenance. The product line includes house-hold style toilets, marine toilets, marine sanitation devices and systems, cleaning products, icemakers, water heaters, and rudder angle indicators.

To view our complete line as well as obtain installation and servicing guides: visit www.raritaneng.com

DRAWINGS:



BOWL TYPE	A	B	C	D	E	F
MARINE	13 (330)	24 3/4 (629)	10 3/8 (264)	17 1/4 (438)	17 3/4 (451)	6 1/2 (165)
HOUSEHOLD	13 1/8 (334)	27 7/8 (708)	11 1/2 (292)	20 (508)	18 1/4 (464)	7 (179)

PLUMBING:

INCHES (MM)

Maximum Lift	4' (1.2m)
Max Discharge Loop Height	15' (4.6m)
Inlet Port Size	3/4"
Discharge Port Size	1 1/2"

NOTE:

1. THE SEAT WILL OPEN WITHIN THE DEPTH OF THE BOWL (D), HOWEVER, IT MAY BE DESIRABLE TO INCREASE THIS ANGLE BY ALLOWING MORE ROOM AT THE BACK OF THE BOWL FOR THE SEAT TO OPEN.
2. MARINE STYLE BOWL, D DIMENSION IS 17 3/8 [442MM] WITH HANDLE EXTENDED.
3. DIMENSIONS ARE FOR REFERENCE AS VITREOUS CHINA DIMENSIONS MAY VARY +/- 5%.

ORDERING INFO:

- P101 = PHC Superflush with Marine size bowl and slow close seat
 P102 = PHC Superflush with Household size bowl and slow close seat
 P103 = PHC Superflush Lower Base Assembly, pump and base ONLY.



www.RARITANENG.com

Raritan Engineering Company Inc.

530 Orange Street

Millville, NJ 08322, USA

Telephone: 856-825-4900 | Fax: 856-825-4409

e-mail: info@raritaneng.com

Southern Plant and Office

3101 SW 2nd Avenue

Ft. Lauderdale, FL 33315, USA

Telephone: 954-525-0378 | Fax: 954-764-4370