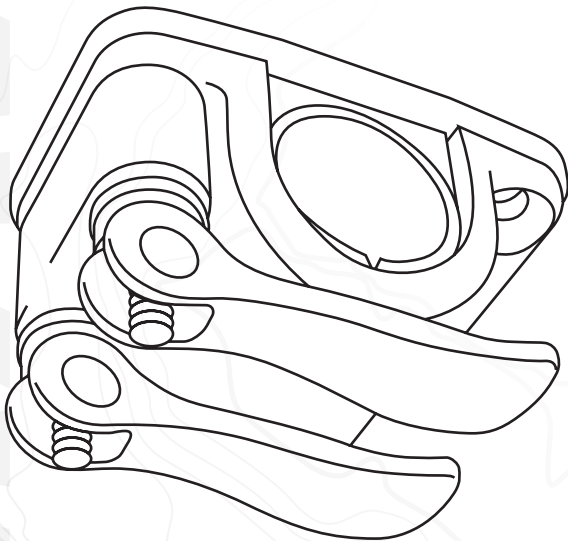


SEAVIEW

ELEVATE YOUR ELECTRONICS



INSTALLATION INSTRUCTIONS

For Seaview Folding Light Bar Kit:

LTB90

Refer to website for most up to
date instructions and videos.

WWW.SEAVIEWGLOBAL.COM

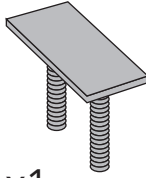
PARTS INCLUDED



x2



x1



x1

TOOLS NEEDED



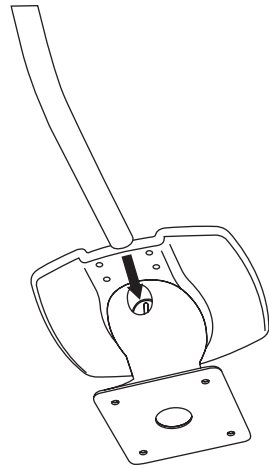
Sudbury Elastomeric Marine Sealant is recommended. To purchase call 800-655-7922 or visit www.seaviewglobal.com



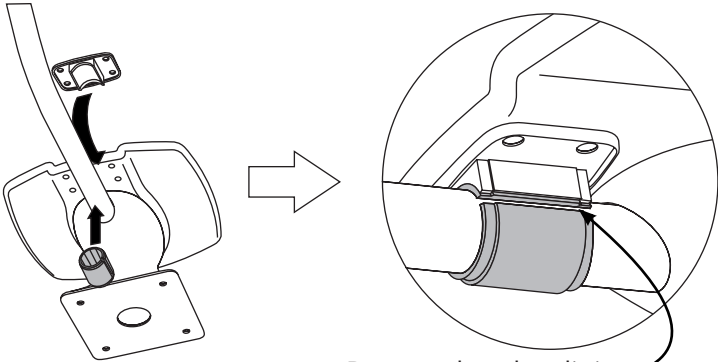
5/32 = 4mm



1 Insert the Light Bar into the back of the Seaview mount.

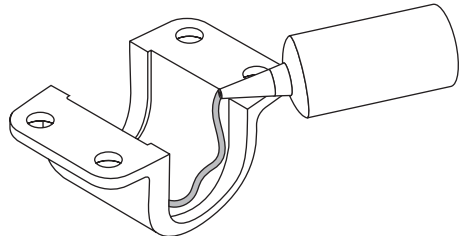


2 Place the rubber sleeve around the Light Bar then place the white plastic adapter on top. Be sure that the adapter locks into place onto the sleeve. The four bolt holes on the adapter should line up to the four holes on the Seaview Top Plate.



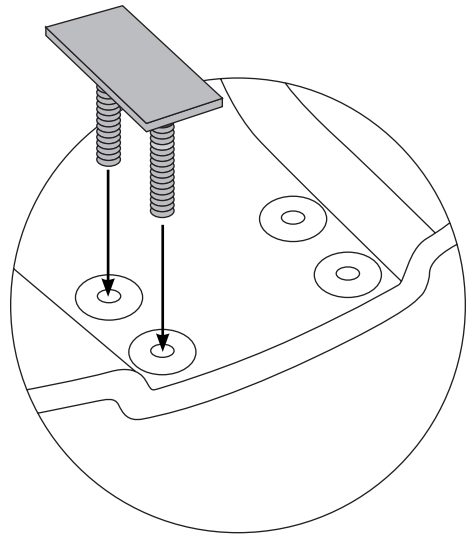
Be sure that the slit in the sleeve lines up with the edge of the adapter.

3 Apply soapy water onto the stainless steel bracket as shown here.



4

Insert the bracket into the Top Plate bolt holes as shown.



5

Secure the stainless steel bracket in place with the spacer and handles.

- Use the two 5/16"x1" bolts that came with your Light Bar to secure the other side of the assembly. Engage first couple of threads to just hold the stainless steel saddle.
- Slide spacer over studs.
- Handle should be down (parallel to studs) to engage threads, as shown in figure 1.
- Rotate clockwise to tighten.
- Tighten 5/16"x1" bolts until snug.

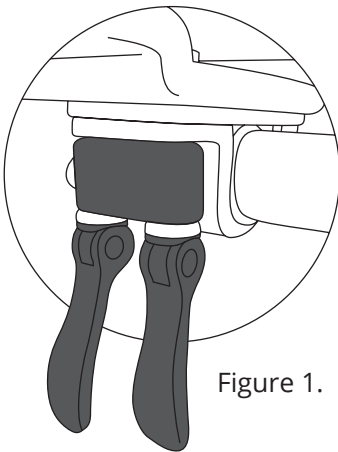
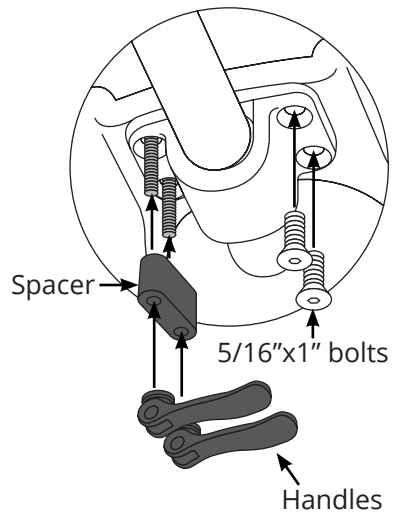
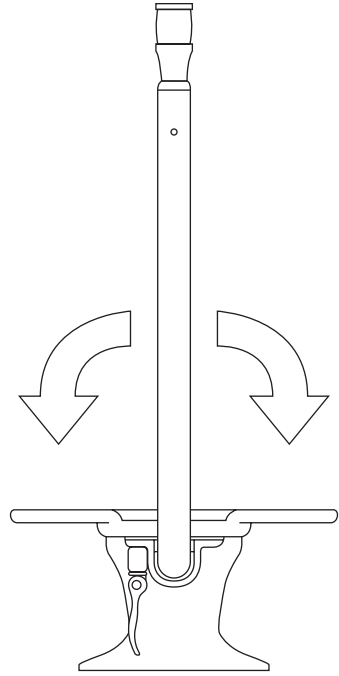
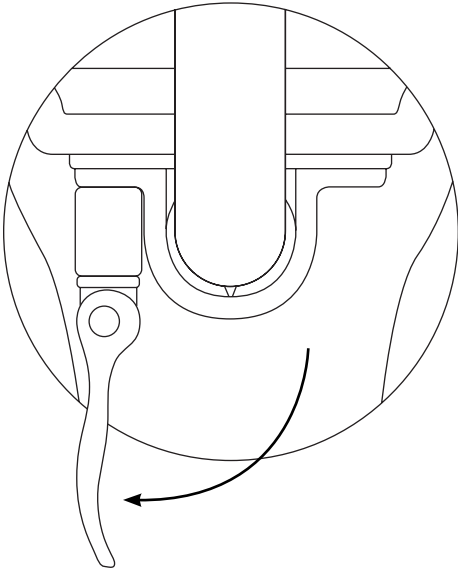


Figure 1.



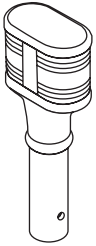
6 To loosen clamp assembly pull both handles down and twist counter clockwise.



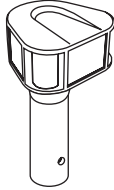
OPTIONAL ACCESSORIES

Call 800-655-7922 or visit www.seaviewglobal.com for available accessories.

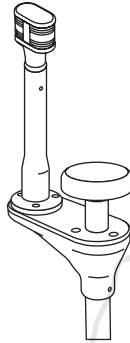
LIGHT BAR TOPS



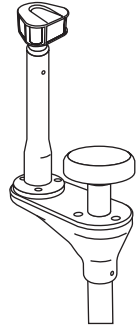
LTBP-1197
Perko 1197
incandescent light.



LTBA-7800
Attwood LED
Light.

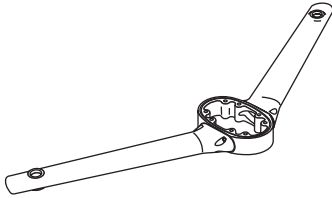


LTBU1A1197
Light Bar Top
with Perko 1197
incandescent
light, can fit GPS.



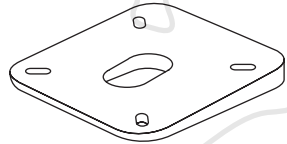
LTBU1A800
Light Bar Top
with Attwood
LED Light, can fit
GPS.

SPREADER KIT



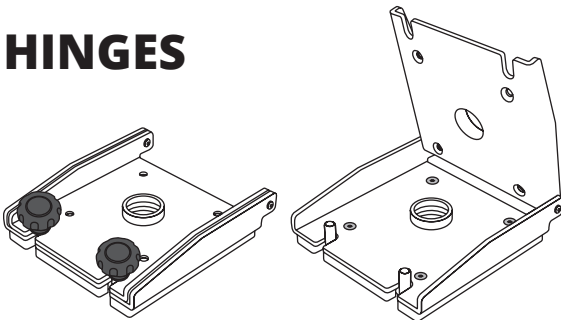
SP1-MOD
Allows user to mount GPS units or
antennas onto a Seaview Modular
Mount.

WEDGES



Compensates for plane angle.
Available in 2, 4 or 6 degree wedges.

HINGES



Seaview Hinge Adapters fold
in any direction necessary for
added height clearance.

The background of the entire page is a light gray topographic map with white contour lines. The lines are irregular and wavy, representing elevation changes across a landscape. The map is centered and covers the entire area.

SEAVIEW//
ELEVATE YOUR ELECTRONICS

SEAVIEW//

Tel: 800-655-7922
www.seaviewglobal.com

EUROPEAN OFFICE

Tel: +33 4 94 53 27 70
www.seaviewprogress.com

1-010519