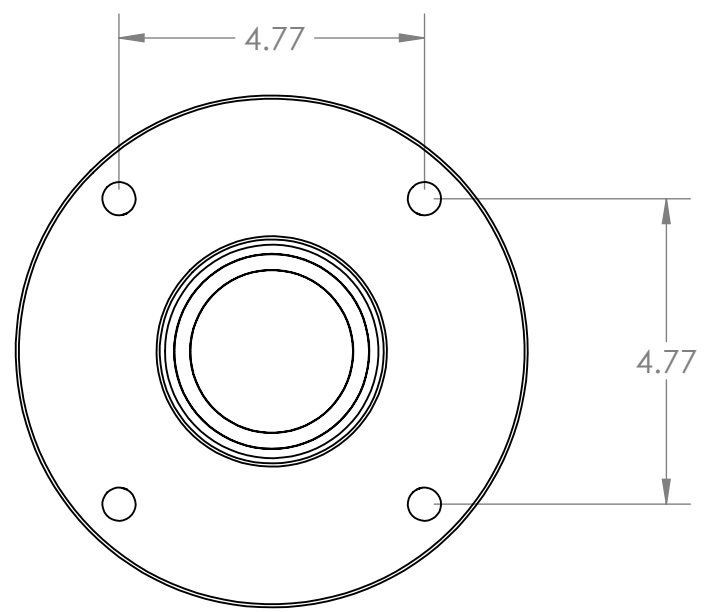
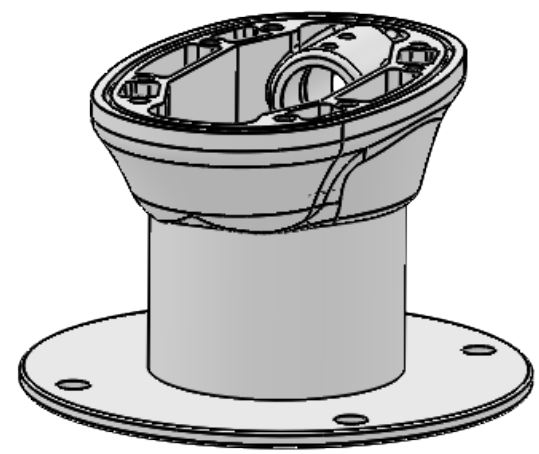
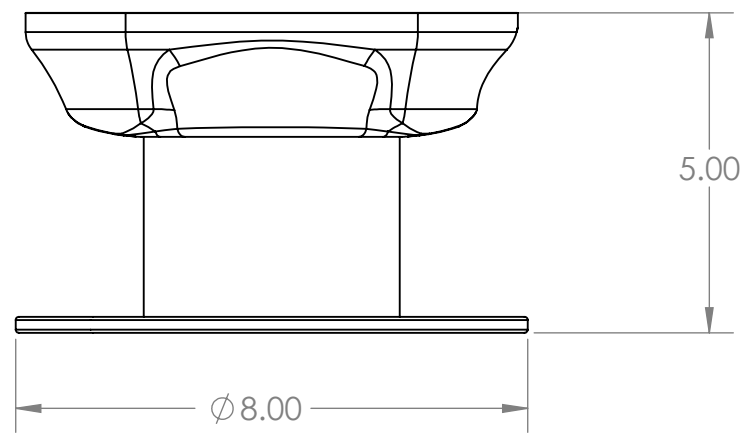



8 7 6 5 4 3 2 1

D
C
B
A

D
C
B
A



PROPRIETARY AND CONFIDENTIAL
THE INFORMATION CONTAINED IN THIS DRAWING IS THE SOLE PROPERTY OF SEAVIEW. ANY REPRODUCTION IN PART OR AS A WHOLE WITHOUT THE WRITTEN PERMISSION OF SEAVIEW IS PROHIBITED.

		UNLESS OTHERWISE SPECIFIED:		NAME	DATE	 TITLE: 5" vertical modular mount		
		DIMENSIONS ARE IN INCHES		DRAWN	J.A.			02.06.19
		TOLERANCES:		CHECKED				
		FRACTIONAL ±		ENG APPR.				
		ANGULAR: MACH ± BEND ±		MFG APPR.				
		TWO PLACE DECIMAL ±.01		Q.A.				
		THREE PLACE DECIMAL ±.003		COMMENTS:				
		INTERPRET GEOMETRIC TOLERANCING PER:						
		MATERIAL						
		FINISH						
NEXT ASSY	USED ON					SIZE B DWG. NO. AM5M1 REV A		
APPLICATION		DO NOT SCALE DRAWING				SCALE: 1:3 WEIGHT: SHEET 1 OF 1		

8 7 6 5 4 3 2 1