

▲▲ FOR ALL
ELEMENTS 

DS18
HYDRO

FOR MORE INFORMATION
PLEASE VISIT

WWW.DS18.COM



#WELIKEITLOUD

**NXL6/NXL8/
CF65/CF8**

OWNER'S MANUAL

FEATURES

MODEL	TYPE	RMS/PEAK POWER
NXL6	6.5" 2-WAY COMPONENT COAXIAL	100W/300W
NXL8	8" 2-WAY COMPONENT COAXIAL	125W/375W
CF65	6.5" 2-WAY COMPONENT COAXIAL	125W/375W
CF8	8" 2-WAY COMPONENT COAXIAL	150W/450W

NXL6&NXL8 CF6&CF8 Features

Marine/UTV 2-Way Speaker

Continuous Power Handling 100W/125W 125W/150W RMS

Peak Music Power 300W/375W 375W/450W MAX

25mm Titanium Dome PEI Surround Tweeter

IP65 Marine Grade Compliant Specifications, 100% UV Stable

Integrated RGB LED Lighting

High Temp injection Molded Composite High Gloss Basket With UV Coating

High Gloss injection Molded Composite ASA Grilles With UV Coating

(NXL6&NXL8)

High Temp injection Molded Composite Grilles Black Carbon Fiber Texture with 316 Metal Mesh (CF6&CF8)

Motor Structure Use Y35 Ferrite Main Magnet And Reverse Neodymium Magnet

Sensitivity: 91dB /93dB at 1W/1M

Nominal Impedance: 4-Ohm

Copper Ring Utilized In Motor Structure For Far-Field Performance

Injection Molded, UV-Compliant, Polypropylene Cone, Butyl Surround

RF Remote LED Controller Or WIFI Controller Option Available For

Multi-Function RGB LED Lighting (Optional)

PACKING INCLUDE

One Pair Marine/UTV Grade Speaker

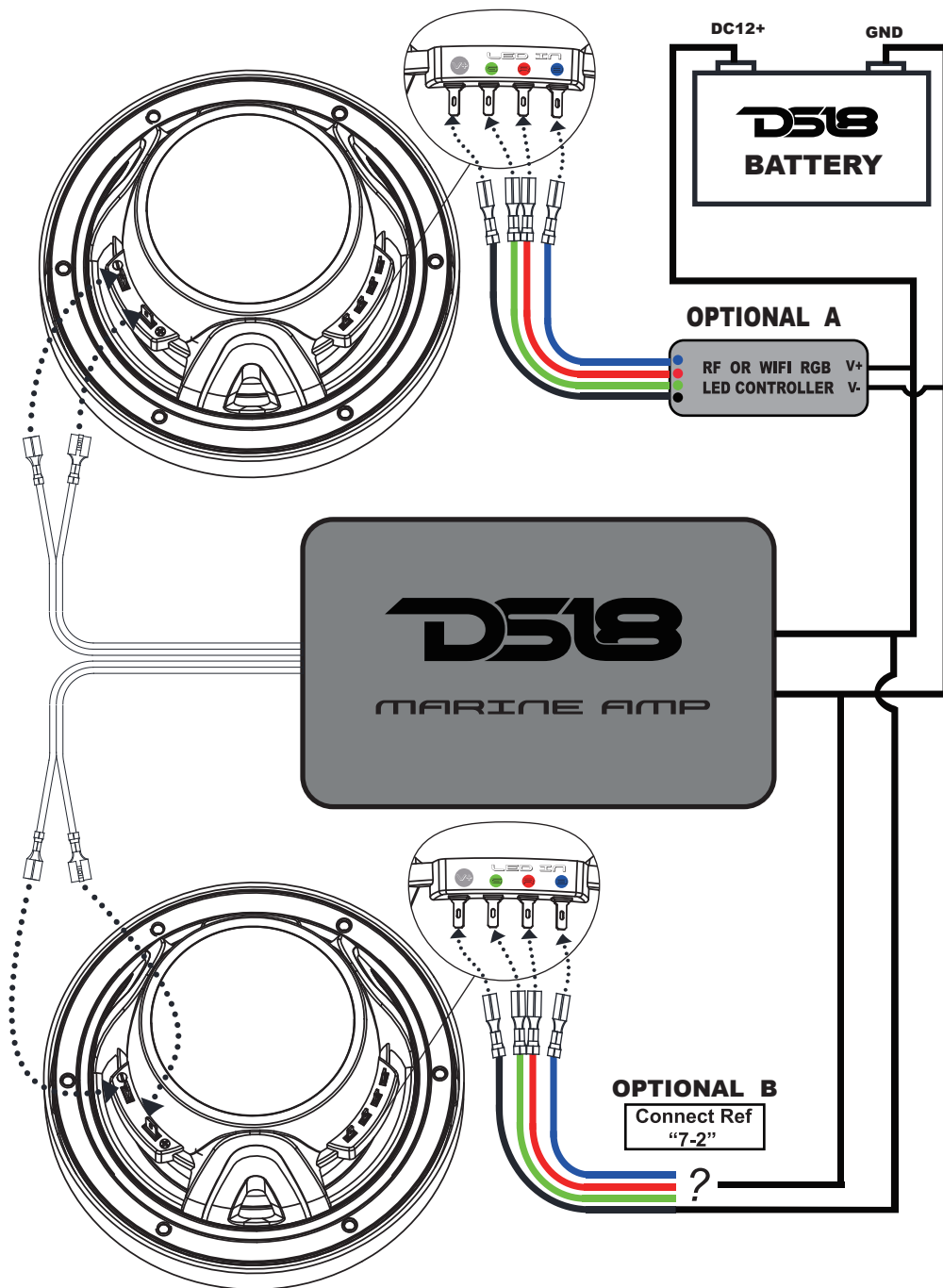
2X1.5M #18 Speaker Input Wires With Fast Terminal

2X1.5M #22 RGB LED Power Input Wires With Fast Terminal

12XM4 Philips Inner Hex Head 304 Stainless Screw(3mm Hex Tool)

Owners Manual

INSTALLATION



SPECIFICATIONS

MODEL	NXL6	NXL8	CF65	CF8
Nominal Diameter	6.5 (165)	8 (203)	6.5 (165)	8 (203)
Type	2-Way	2-Way	2 -Way	2-Way
Nominal Impedance (Ohms)	4Ω	4Ω	4Ω	4Ω
Frequency Response (Hz)	45-23kHz	35-23kHz	45-23kHz	35-23kHz
Voice Coil Diameter	1.2" (30.5mm)	1.2" (30.5mm)	1.2" (30.5mm)	1.2" (30.5mm)
Power Handling RMS/PEAK	100w/300w	125w/375w	125w/375w	150w/450w
Fs-Free Air Resonance (Hz)	65	50	65	50
Qts	0.622	0.532	0.622	0.532
Vas - cu.ft (Liter)	0.3 (8.5)	0.795 (22.5)	0.3 (8.5)	0.795 (22.5)
Sensitivity(1W/1M)	91dB	93dB	91dB	93dB
Xmax	0.16" (4mm)	0.16" (4mm)	0.16" (4mm)	0.16" (4mm)
Mounting Hole	5.31" (135mm)	6.97" (177mm)	5.31" (135mm)	6.97" (177mm)
Mounting Depth	2.5" (63.5mm)	3.09" (78.5mm)	2.5" (63.5mm)	3.09" (78.5mm)

We Reserve The Right To Change Products And Specificatins At Any Time Without Notice. Images May Or May Not Include Optional Equipment

INSTALLATION

Installation Considerations before attempting Install,

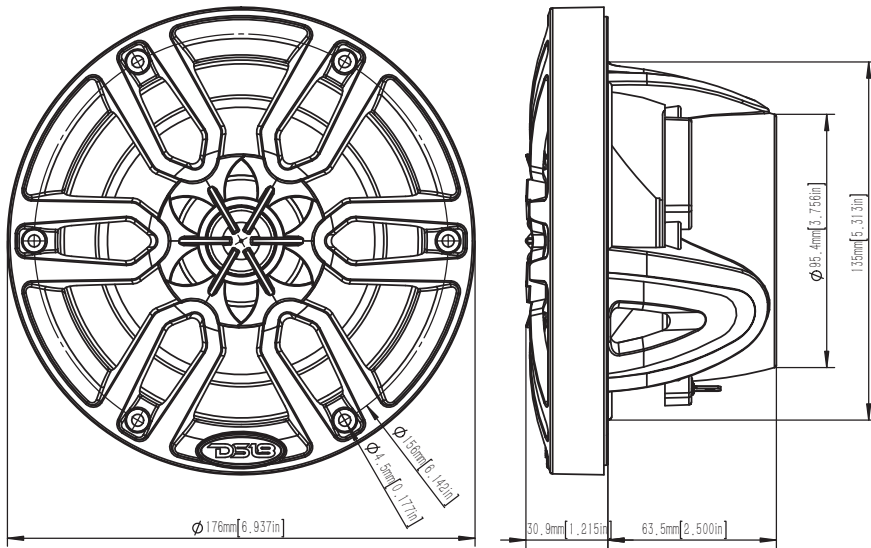
1. Be sure to carefully read and understand the instructions before attempting to install these speakers.
2. For safety, disconnect the negative battery terminal from the battery prior to beginning the installation.
3. For easier assembly, we suggest you run all wires prior to mounting speakers in place
4. Use high quality connectors for a reliable installation and to minimize signal or power loss.
5. Think before you drill! Be careful not to cut or drill into gas tanks, fuel lines, brake or hydraulic lines, vacuum lines or electrical wiring when working on any vehicle. If installation in a boat, take care not to cut or drill through the main hull.
6. Never run wires underneath the vehicle. Running the wires inside the vehicle or hull area provides the best protection.
7. Avoid running wires over or through sharp edges. Use rubber or plastic grommets to protect any wires routed through metal, especially the firewall.

Mounting

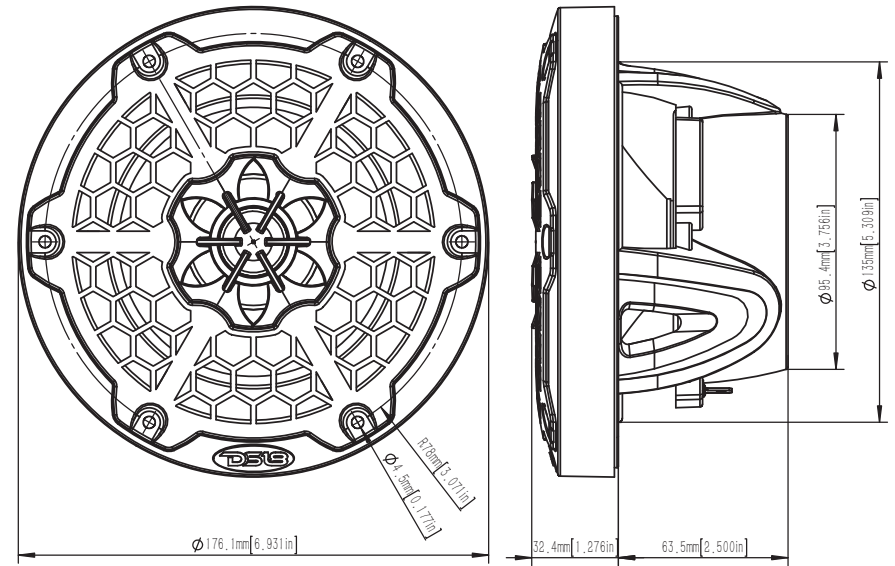
1. Determine where the speakers will be mounted. Ensure an area large enough for the speaker to mount evenly. Be sure that the mounting location is deep enough for the speaker to fit; only mount to a flat surface. Use extra caution when mounting on panels with urethane foam.
2. Refer to the specification chart to determine the proper diameter hole to cut for your speaker model.
3. Mark the locations for the mounting screws. Drill the holes with a 1/8" bit.
4. Feed the speaker wires through the cutout and connect to the speaker terminals. Be sure to observe proper polarity when connecting the wires. The speaker's positive terminal is indicated with a "+" .
5. Fit the speaker and mount into place using six (6) screws.
6. Tighten the screws until the speaker is snug in place
7. LED CONNECTIONS: There are two options to choose from:
 - 7-1, Connect RGB Wires To RF RGB LED Controller Or WIFI RGB LED Controller (Optional)
 - 7-2, Connect To Battery(DC12V), Speaker RGB LED Fast Terminal " V+ " Connect To Battery Positive.
 - 1) Green Color: "G" Fast Terminal Connect to Battery Negative
 - 2) Red Color: "R" Fast Terminal Connect to Battery Negative
 - 3) Blue Color: "B" Fast Terminal Connect to Battery Negative
 - 4) Purple Color: "R" And "B" Fast Terminal Connect to Battery Negative
 - 5) Yellow Color: "R" And "G" Fast Terminal Connect to Battery Negative
 - 6) Cyan Color: "B" And "G" Fast Terminal Connect to Battery Negative
 - 7) While Color: "R" And "B" And "G" Fast Terminal Connect to Battery Negative

DIMENSIONS

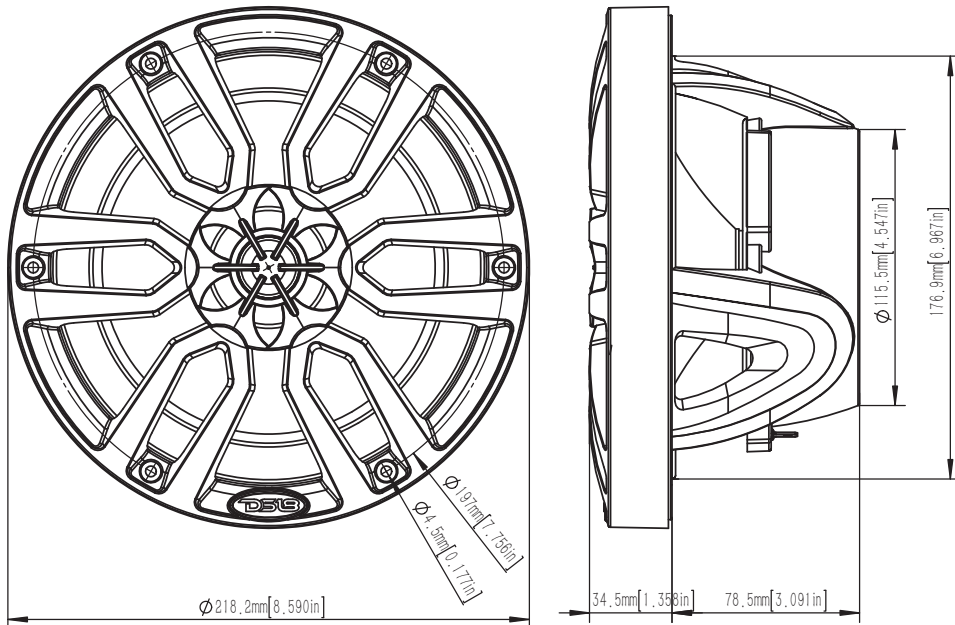
MXL6



CF65



MXL8



CF8

