

# Intelligent Battery Sensor (IBS)

The Intelligent Battery Monitoring System informs you about the current energy status, allowing you to plan your energy supply making it the key element of the vessel's energy management. In order to carefully preserve the energy of the boat battery, it is necessary to know its State of Charge, the ageing status (State of Health) and any changes to the battery, as weak batteries are the main cause of trouble in the boat.



## FACTS AND BENEFITS

- ▶ **12V and 24V** Intelligent Battery Sensors (IBS)
- ▶ Determines the current status of your battery to support energy management planning
- ▶ Helps to preserve battery life by reporting its State of Health
- ▶ Delivers **real-time measurements** preventing over charging and over heating which can shorten battery life

	<b>12 V</b> B00042501	<b>12 V II</b> B00042502	<b>24 V</b> B00070401
<b>Operating voltage</b>	6 - 16.5 V	6 - 18 V	7.5 - 32 V
<b>Permanent load current</b>	± 155 A	± 200 A	± 200 A
<b>Max current</b>	± 1500 A	± 1500 A	± 2000 A
<b>Threaded GND bolt (Battery pole adapted included)</b>	M8	M6	M8
<b>Max battery capacity</b>	249 Ah	500 Ah	255 Ah

## DESIGN AND FUNCTION

The IBS is attached directly to the negative pole of the battery via its pole terminal.

Alongside the terminal, the mechanical portion of the battery sensor consists of the shunt and grounding bolt.

## DELIVERED DATA

### Battery Voltage

### Battery Current

### Battery Temperature

**State of Charge (SOC):** Current charge status of the battery, defined in percentage

**State of Health (SOH):** Ageing status of the battery, loss of capacity over time

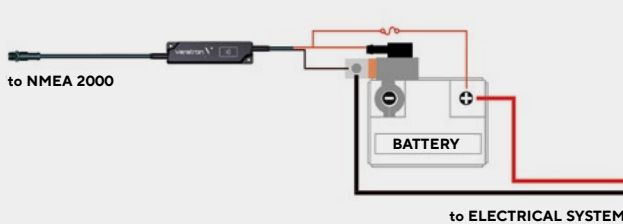
**Autonomy:** Estimated battery duration based on the instantaneous current consumption of the system

## NMEA PGNS

DC Detailed Status	127506
Battery Status	127508
Battery Configuration Status	127513

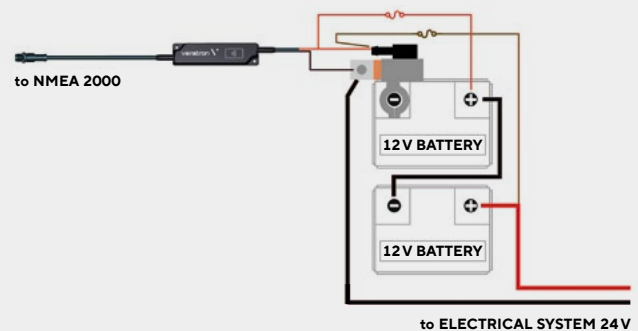
## 12 Volt Systems

- ▶ Two sensors available for 12V batteries
- ▶ IBS is connected to the battery negative pole
- ▶ Fused connection to the positive pole which powers the LinkUp



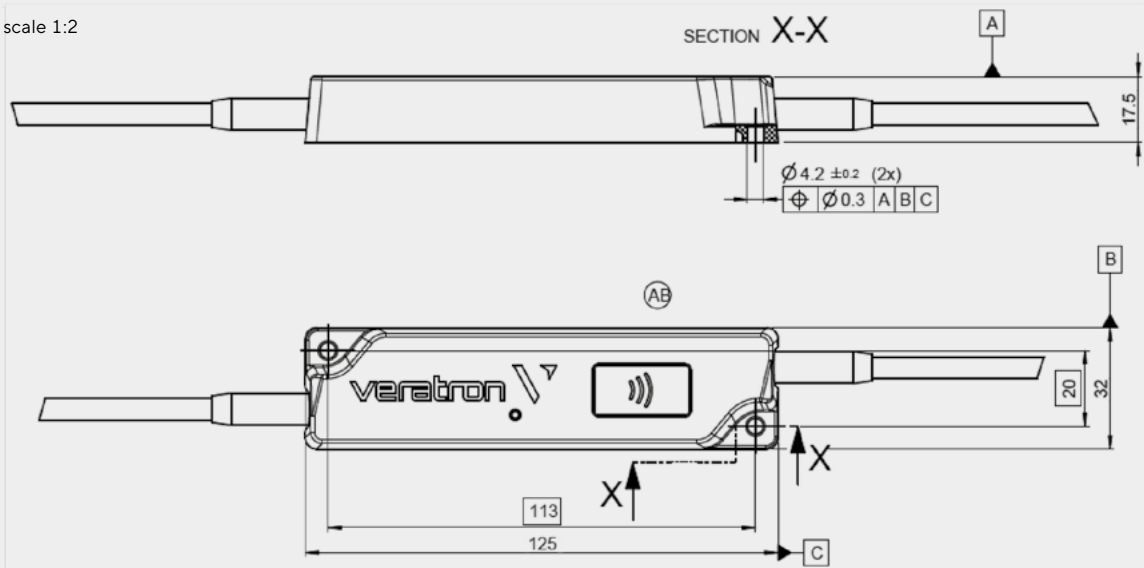
## 24 Volt Systems

- ▶ Series of two 12V batteries
- ▶ IBS is connected to the battery negative pole of one 12 V battery
- ▶ Fused connections to the 12V and 24V positive poles



## DIMENSIONS

Illustration in scale 1:2



## THE LINKUP SERIES

**LinkUp Resistive**  
B00042201

**LinkUp 2-in-1**  
B00070501

**LinkUp Pyrometer**  
B00042301

**LinkUp J1939**  
B00042401

**LinkUp IBS 12V and 24V**  
B00042501-02 / B00070401

**OUTDOOR INSTRUMENTATION  
ENGINEERED IN SWITZERLAND**



**Veratron AG** / Industriestrasse 18 / 9464 Rüthi / Switzerland  
T +41 71 7679 111 / info@veratron.com / veratron.com

The information provided in this brochure contains only general descriptions or performance characteristics, which do not always apply as described in case of actual use or which may change as a result of further development of the products. This information is merely a technical description of the product. It is not meant or intended to be a special guarantee for a particular quality or particular durability. An obligation to provide the respective characteristics shall only exist if expressly agreed in the terms of contract. We reserve the right to make changes in availability as well as technical changes without prior notice.

Veratron AG / English © 2021