

PORTABLE ICE FISHING KIT

Installation Instructions	2	Instruções de instalação	22
Instructions d'installation	6	Installationsvejledning	26
Istruzioni di installazione	10	Installeringsinstruksjoner	30
Installationsanweisungen	14	Installationsinstruktioner	34
Instrucciones de instalación	18		

Garmin® and the Garmin logo are trademarks of Garmin Ltd. or its subsidiaries, registered in the USA and other countries. These trademarks may not be used without the express permission of Garmin.
 El número de registro COFETEL/IFETEL puede ser revisado en el manual a través de la siguiente página de internet.

PORTABLE ICE FISHING KIT

Installation Instructions

Important Safety Information

⚠ WARNING

See the *Important Safety and Product Information* guide in the chartplotter or fishfinder product box for product warnings and other important information.

To obtain the best performance, you must install the Garmin® device according to these instructions.

Read all installation instructions before proceeding with the installation. If you experience difficulty during the installation, go to support.garmin.com for more information.

Battery Information

Battery Warnings

⚠ WARNING

The Garmin device uses a user-replaceable, sealed, lead-acid battery. If these guidelines are not followed, the battery may experience a shortened life span or may present a risk of damage to the device, fire, chemical burn, electrolyte leak, and/or bodily injury.

- Do not place the battery near objects that may cause sparks, flames, or heat.
- Do not incinerate the battery.
- Do not use a sharp object to remove the battery.
- Do not disassemble, puncture, or damage the battery.
- Do not swallow, touch, or inhale the contents of an open battery. Avoid contact with internal acid. Contact with internal acid may cause irritation or severe burns. Irritation may occur to the eyes, respiratory system, and skin. Flush with water at once if contact is made with acid.
- Do not submerge the battery and avoid contact with water.
- Do not short the battery terminals.
- Do not drop or throw the battery.
- Keep the battery away from children.
- Only replace the battery with the correct replacement battery. Using another battery presents a risk of fire or explosion of the device or charger.
- Only charge the battery with the included charger.
- Do not charge the battery in an unventilated area.
- Store in a cool, dry, and well-ventilated area.
- Do not charge the battery in a gas-tight container.
- Do not leave the device exposed to a heat source or in a high-temperature location, such as in the sun in an unattended vehicle. To prevent damage, remove the device from the vehicle or store it out of direct sunlight.
- Do not use organic solvents or other cleaners other than recommended chemical cleaners on the battery.
- Contact your local waste disposal department to dispose of the battery in accordance with applicable local laws and regulations.
- When storing the battery for an extended time, store within the following temperature range: from 5° F to 104° F (from -15° C to 40° C).
- Do not operate the battery outside of the following temperature range: from 5° F to 122° F (from -15° C to 50° C).

Battery Tips

- The length of time a fully charged battery will last before fully discharging varies based on many factors, such as device

backlight brightness, the temperature, and the age of the battery.

- You can lower the backlight brightness level to help extend the battery life.
- The life expectancy of a sealed, lead-acid battery can be extended by frequently recharging and not completely discharging the battery.
- Sealed, lead-acid batteries slowly lose their charge while in storage. For best results, charge the battery prior to use.
- When used in cold temperatures, sealed, lead-acid batteries do not hold the charge as long as in warmer temperatures.
- Sealed, lead-acid batteries are completely recyclable.

Portable Ice Fishing Kit Specifications

Battery discharge	Temperature	Screen brightness	Time
	At -20°C (-4°F)	100% 50%	7.4 hr. 9.75 hr.
	At 0°C (32°F)	100% 50%	9.83 hr. 10.2 hr.
	At 20°C (68°)	100% 50%	10.3 hr. 11.1 hr.
Battery type	Sealed, lead acid, 12 Ah		
Battery life	Up to 11 hr. NOTE: The actual battery life of a fully charged battery can vary based on the device used, backlight brightness, temperature the battery is operated and stored in, age of the battery, and depth of the water.		
Battery shelf life after charging	1 mo.: 92% 3 mo.: 90% 6 mo.: 80%		
Battery operating temperature range	From 5° to 122°F (from -15° to 50°C)		
Battery charging temperature range	From 5° to 104°F (from -15° to 40°C)		
Battery storage temperature range	From 5° to 104°F (from -15° to 40°C)		
Physical size, assembled kit with device (L x W x H)	12.25 in. x 14.45 in. x 10 in. (311 mm x 367 mm x 254 mm)		
Weight, unassembled kit with device	15 lb. (6.65 kg)		
GT10HW Ice fishing transducer frequencies	Traditional: 130 to 300 kHz (High Frequency, Narrow Beam, CHIRP)		
GT10HW Ice fishing transducer transmit power (RMS)	500 W		
GT10HW Ice fishing transducer beam width	User adjustable, from 8 to 16°		

Panoptix™ PS22 Specifications

Dimensions (W x H x L)	32 x 118 x 96 mm (1.3 x 4.6 x 3.8 in.)
Transducer weight	380 g (0.84 lb.)
Total weight (transducer, mount, and cable)	840 g (1.85 lb.)
Max. continuous power usage	8 W

Peak transmit power	48 W
Operating voltage	From 10 to 35 Vdc
Operating temperature range*	From -10 to 40°C (from 14 to 104°F)
Storage temperature range	From -40 to 70°C (from -40 to 158°F)
Material	ASA plastic
Maximum range**	91.4 m (300 ft.)
Frequency	417 kHz
Fuse rating	4.0 A mini 32 Vdc

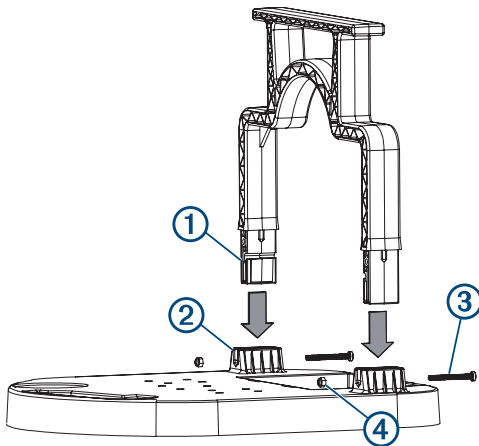
*When the transducer is used out of the water, the transducer monitors the internal temperature and suspends operation until the temperature returns to the operating range.

**Dependent upon transducer placement, water salinity, bottom type, and other water conditions.

Assembling the Portable Mount

You need a Phillips screwdriver to assemble the portable mount.

- 1 Insert the handle ① into the two openings on the portable mount base ②.

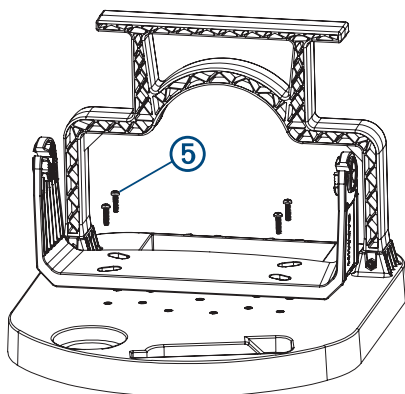


- 2 Secure the handle to the base using the two longer machine screws ③ and two nuts ④.
- 3 Align the device mount over the hole pattern that matches your device mount.

NOTE: A bail mount is included in some packages. If a mount is not included, use the mount from your chartplotter or fishfinder and the screws included in this package.

- 4 Secure the device mount to the base using the included shorter machine screws ⑤.

NOTE: Do not use the self-threading screws included with the chartplotter. Only use the screws included with this portable kit.



- 5 Screw the bail-mount knobs into the sides of the cradle.
- 6 Place the cradle into the bail mount and tighten the knobs.

Connecting the Cables

⚠ CAUTION

Ensure that you connect the correct spade connector to the correct battery terminal. Damage to the battery or device, or bodily harm may occur if the device is improperly connected to the battery.

The bundled version contains the all-in-one power cable to connect the necessary items in the bundle to the battery. The non-bundled portable kit contains two power cables.

- The all-in-one power cable provides connections for the threaded 4-pin power connector on the ECHOMAP™ device, gray bare wire connectors for the Panoptix PS22 transducer, battery charger adapter to connect the battery to the wall charger, and spade connectors to the battery.
- The simple power cable, included only in the non-bundled kit, provides a 4-pin power cable to connect a compatible device to the battery.

- 1 Select the power cable and transducer cables to use with your device and transducer.
- 2 Connect the power cable and transducer cables to the device bracket.
- 3 Connect the Panoptix PS22 to the gray bare wire connectors on the power cable. Connect the red wire on the power cable to the red wire on the device, and connect the black wire on the power cable to the black wire on the device.
- 4 Slide the red spade connector onto the positive (red) terminal on the battery.
- 5 Slide the black spade connector onto the negative (black) terminal on the battery.

Charging the Battery

⚠ CAUTION

Ensure that you connect the correct spade connector to the correct battery terminal. Damage to the battery or device, or bodily harm may occur if the device is improperly connected to the battery.

You should always use the all-in-one cable to charge the battery.

- 1 If you are using the simple power cable, disconnect the spade connectors from the battery.

TIP: When using the all-in-one power cable with your unit, you do not need to disconnect the power cable spade connectors.

- 2 Connect the red and black spade connectors from the all-in-one cable onto the corresponding battery terminals.
- 3 Connect the all-in-one cable to the wall charger.
- 4 Connect the wall charger to the wall outlet.

The light on the wall charger is solid orange when the battery is charging. It takes about 8 to 10 hours in a room-temperature environment to fully charge a fully discharged battery. When the light is solid green, the battery is fully charged.

Placing the Portable Mount in the Bag

After you have assembled the portable mount, you can place it in the bag, which makes it easier to carry and protects it from the elements. The bag contains loops that allow you to tether the bag as needed.

- 1 Slide two of the included hook and loop straps through the narrow slots beside the battery compartment.
- 2 Place the battery into the battery compartment under the handle.

- 3 Pull the straps under and around the bottom of the portable mount, and wrap them tightly around the battery.
- 4 Place the transducers into the recessed spaces in front of the bail mount.
- 5 Place the portable mount into the bag.
- 6 If necessary, wrap the excess power cable and transducer cables around the handle.
- 7 Close all of the zippers.

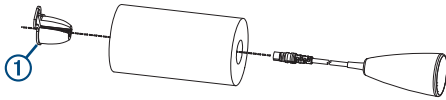
You can use the zipper at the back of the bag for quick access to charge the battery. You can store the wall charger in the interior zippered pocket.

Installing the Transducer

The portable ice fishing kit may include one or two transducers and mounting options. Follow the instructions applicable to your hardware.

Installing the Ice Fishing Transducer

- 1 Insert the transducer cable through the float.
- 2 Snap the float stop ① onto the transducer cable, on the top of the float.



- 3 Adjust the float and float stop so the transducer is hanging beneath the ice.
- 4 With the transducer cable connected to the back of the device, drop the transducer into the water.

Panoptix Ice Fishing Mount Installation

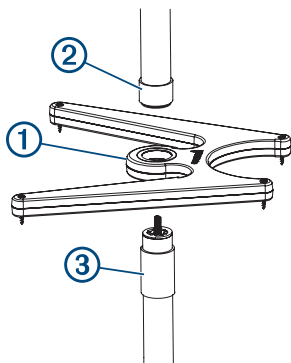
Assembling the Panoptix Ice Fishing Mount

You need a Phillips screwdriver and a 5 mm hex wrench to assemble the ice fishing mount and attach the transducer.

- 1 Insert the sheet metal screws into the four corners of the ice mount base.

The screws protrude from the bottom of the base to help stabilize the mount when it is on the ice.

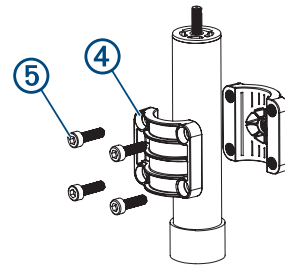
- 2 Locate the handle and the top pole segment.
- 3 Place the base ① between the handle ② and the top pole ③, and screw them together.



- 4 Determine how many of the three middle pole segments you need to use, based on the thickness of the ice.

TIP: The top of the Panoptix PS22 transducer needs to be below the bottom of the ice for best performance.

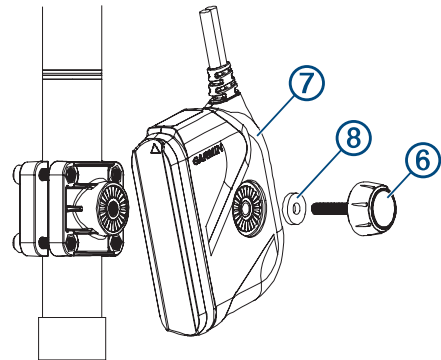
- 5 Screw together the needed segments, with the shortest segment on the bottom of the pole.
- 6 Using a 5 mm hex wrench, attach the transducer bracket ④ to the bottom pole using the hex head screws ⑤.



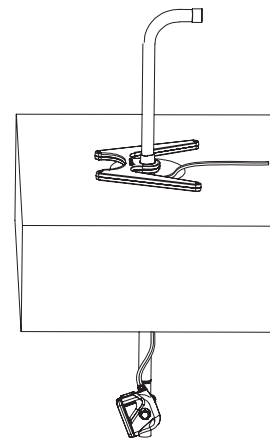
- 7 Use the included knob or mounting bolt ⑥ to attach the transducer ⑦ to the bracket.

TIP: Use the optional included rubber washer ⑧ to adjust the angle easier.

You can align the transducer parallel to the pole mount handle to provide a direction indicator.



- 8 Use the hook and loop straps to secure the transducer cable to the pole.
- 9 Place the mount base around the hole in the ice.

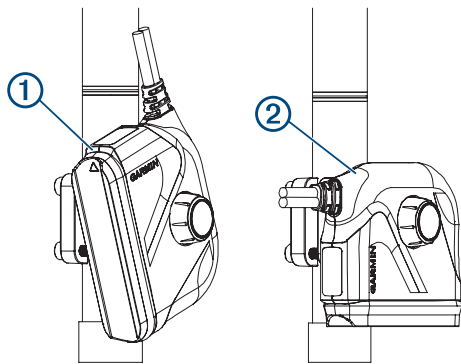


- 10 Rotate the handle to aim the transducer.

Adjusting the Transducer Angle

The transducer should be angled properly for optimal imagery in each mode.

- 1 With the transducer mounted, angle the transducer according to the mode you will use:
 - For LiveVü Forward mode, angle the transducer forward and slightly downward ①.
 - For LiveVü Down mode, angle the transducer down ②.



③	Depth
④	100° length cone angle
⑤	20° width cone angle

TIP: You may want to experiment to find the best angle for your sonar needs.

TIP: For LiveVü Forward mode, adjust the angle 1 or 2 clicks downward in shallow water (less than 4.6 m/15 feet) and 2 or 3 clicks downward in deeper water (more than 4.6 m/15 feet).

- 2 Tighten the knob or mounting bolt so the device does not move during use.
- 3 On the chartplotter, select **Sonar**, and select **LiveVü Down** or **LiveVü Forward**.

Effective Forward and Down Range

⚠ CAUTION

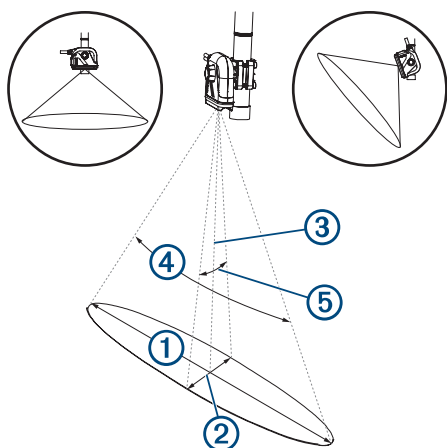
Water conditions and bottom conditions affect the depth and range performance of the transducer. You should use caution and observe the water depth and range, especially when your unit is operating in manual range or depth mode.

When operating in LiveVü Forward mode, the transducer has an effective forward range of between five and eight times the depth of the water. For example, in 3 m (10 ft.) of water, the effective forward range is between 15 and 24 m (between 50 and 80 ft.). Water conditions and bottom conditions affect the actual range.

When operating in LiveVü Down mode, the fore/aft range is equal to the depth of the water. For example, in 10 m (33 ft.) water depth, the screen will display 5 m (16 ft.) fore and 5 m (16 ft.) aft of the transducer. Deeper water provides a greater fore and aft range.

Beam width

When you point the transducer away from the bottom, the integrated stabilization system automatically aligns the beam vertical to the bottom. Regardless of the transducer orientation, the length cone angle is always 100°, and the width cone angle is always 20°.



①	Length of beam at the bottom
②	Width of beam at the bottom