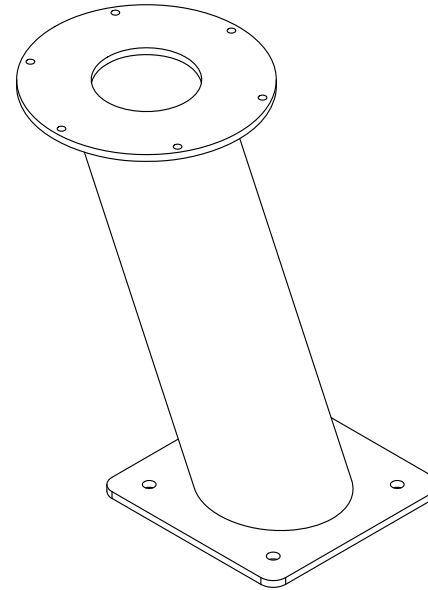
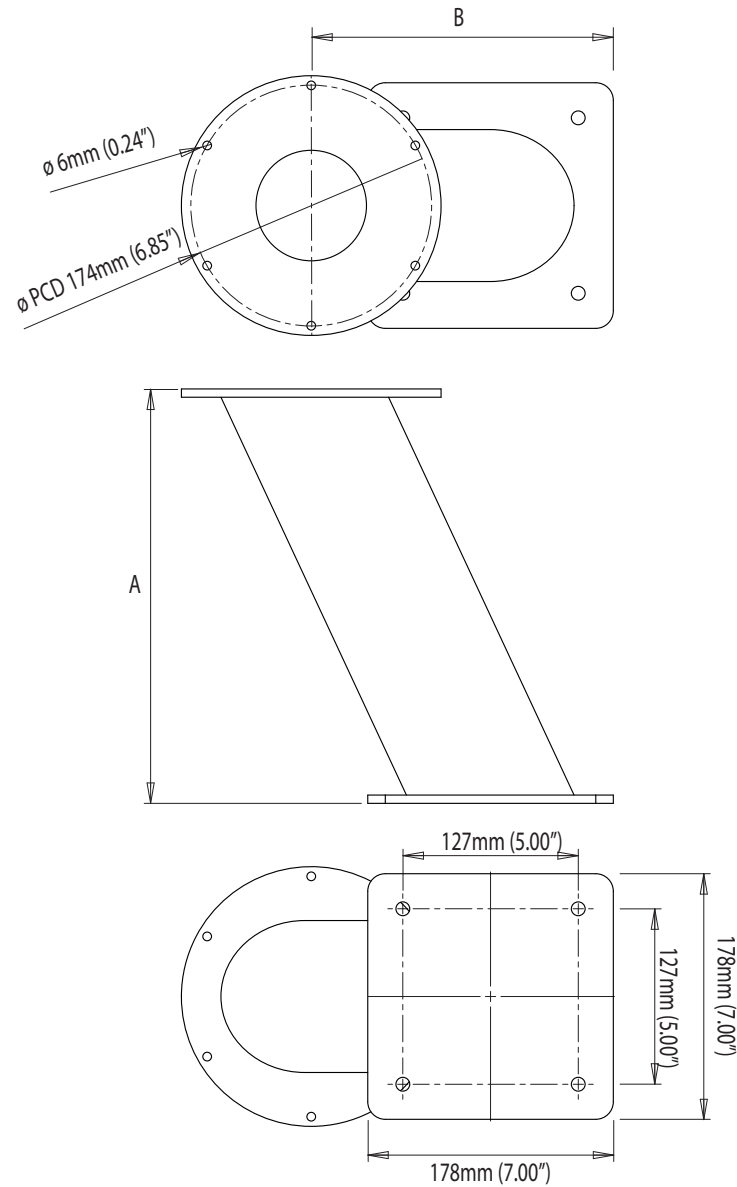


# CAM-PT-150/300-02

For help & information  
 email: sales@scanstrut.com  
 tel: +44 (0) 1392 531280



	A mm / inches	B mm / inches
CAM-PT-150-02	150/5.91	149/5.87
CAM-PT-300-02	300/11.81	219/8.62



**SCANSTRUT**