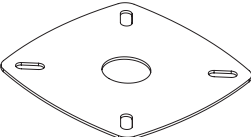
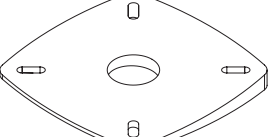
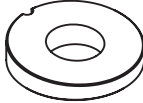


Parts List

<p>Base Seal</p>  <p>10122/19022 1</p>	<p>Wedge</p>  <p>17221/17222 1</p>
--	---


Optional Extra

4° Washer



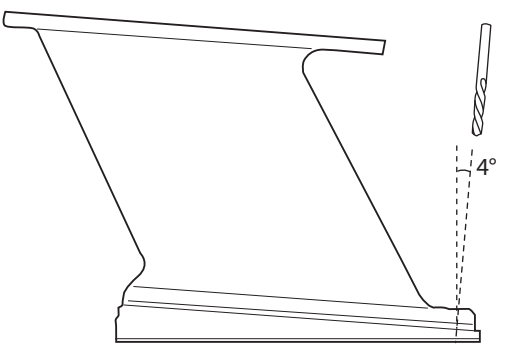
WD-WP 4

Tools Required



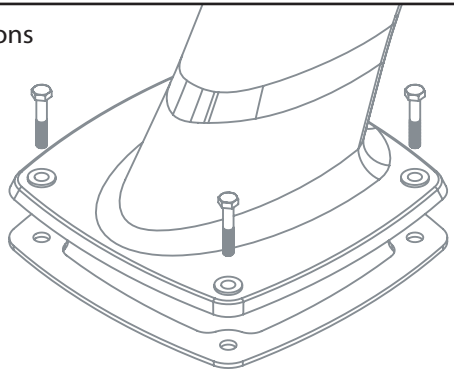
13mm (15/32")  
Spanner

See Power Tower instructions for further information

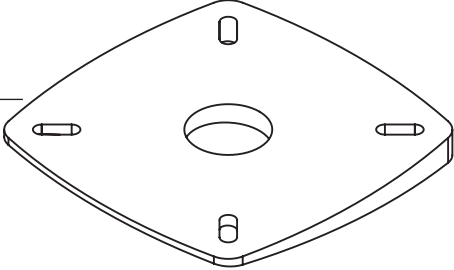


4°

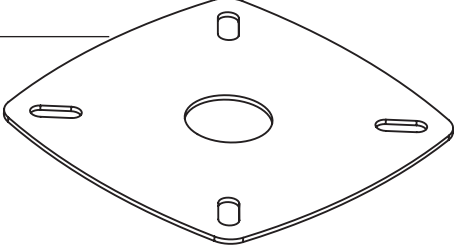
Drill ø8mm holes at 90° to Power Tower base i.e at 4° to the vertical




17222



10122





Share your installation with us.



UK & International  
+44 (0)1392 531280  
sales@scanstrut.com

For further installation  
and warranty information  
please visit:  
www.scanstrut.com

USA  
+1 860 308 1416  
usasales@scanstrut.com