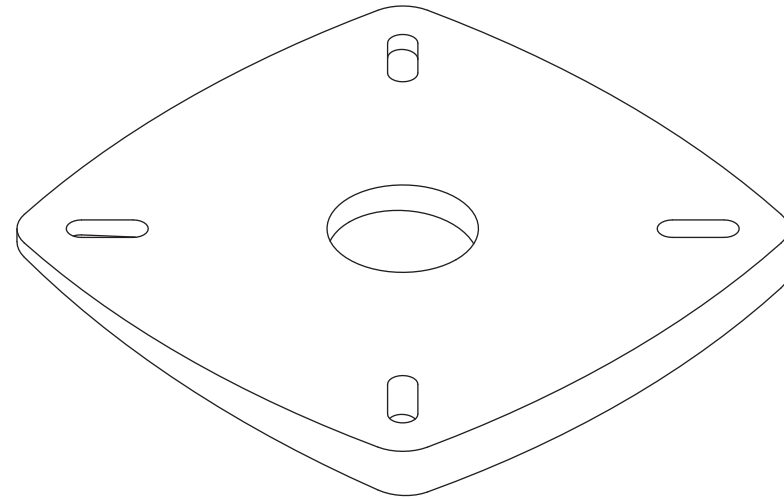
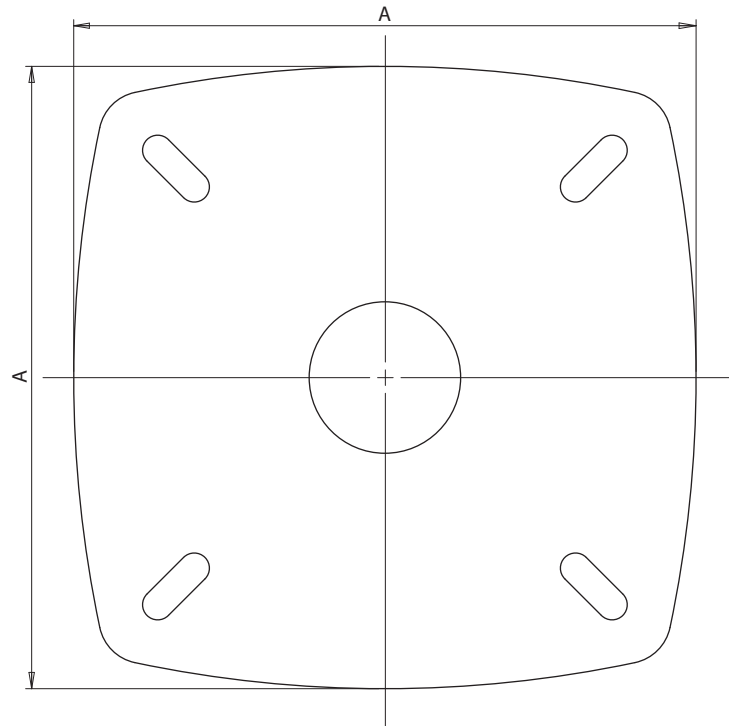


4° Base Wedge for PowerTower®

Email: sales@scanstrut.com

Email: usasales@scanstrut.com



	A mm / inches	B mm / inches
PT3010*	205/8.07	4°
SPT2010**	158/6.22	4°

*Fits Composite and Aluminium PowerTower®

**Fits Stainless PowerTower® excluding SPT1004 and SPT1005

SCANSTRUT.