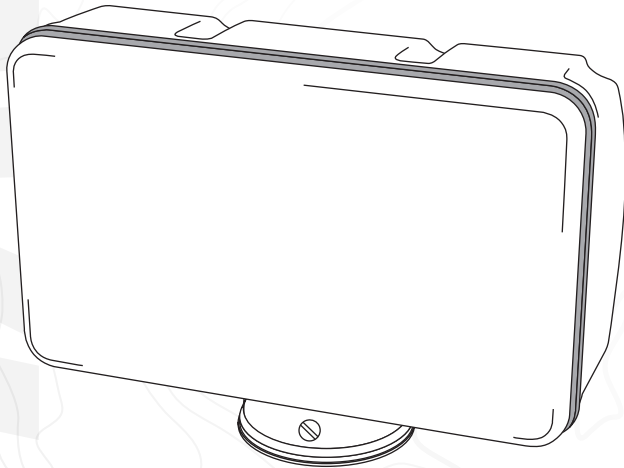


SEAVIEW

ELEVATE YOUR ELECTRONICS



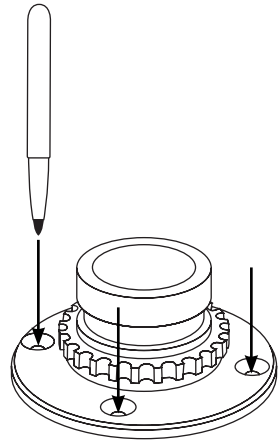
INSTALLATION INSTRUCTIONS

For Seaview Deck Pods (DPOD):

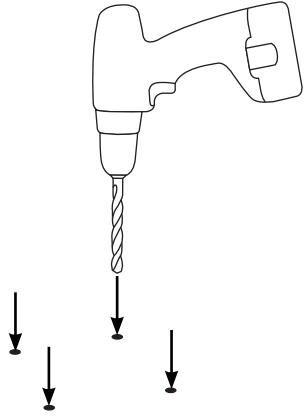
SP2P, SP3P, SP5P

Refer to website for most up to date instructions and videos.

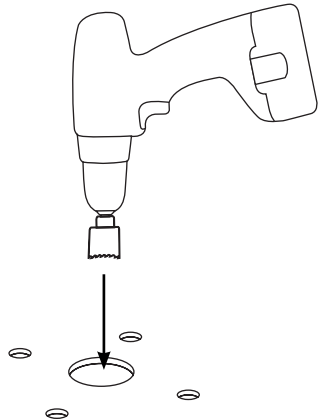
1 Place the base onto the mounting surface and mark the four bolt holes.



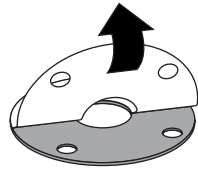
2 Drill the four marked holes.



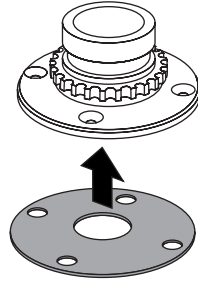
3 Using a hole saw drill a hole in the center for cables.



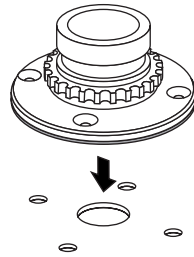
4 Peel off the sticky backing on the base gasket.



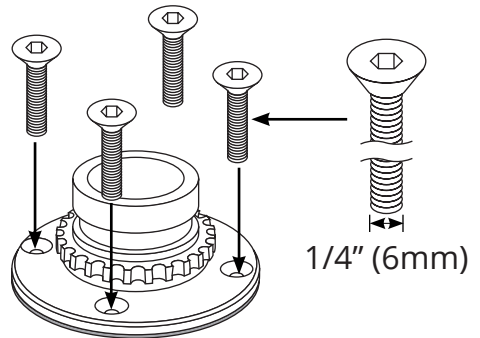
5 Apply the gasket to the bottom of the base



6 Place the base assembly onto the mounting surface.

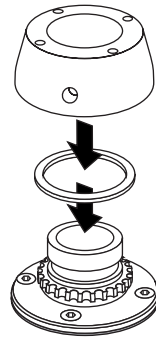


7 Place the base assembly onto the mounting surface.



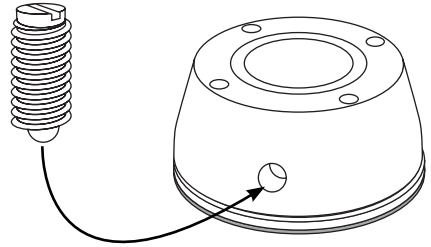
8

Place the large washer and base housing onto the base.



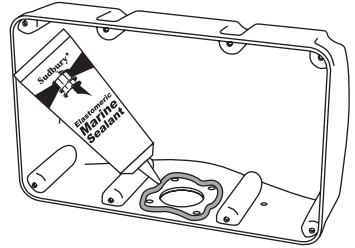
9

Insert the locking screw into the front of the body.



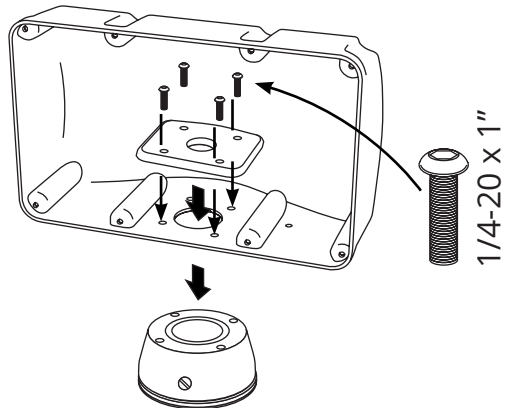
10

Apply marine adhesive sealant as shown.

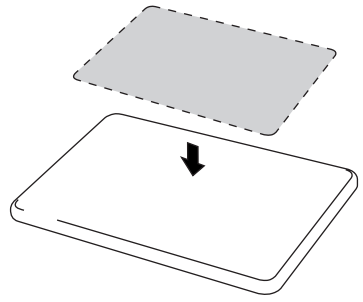


11

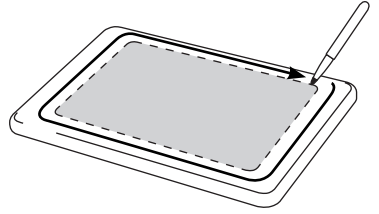
Assemble the inner backing plate, housing and base as shown.



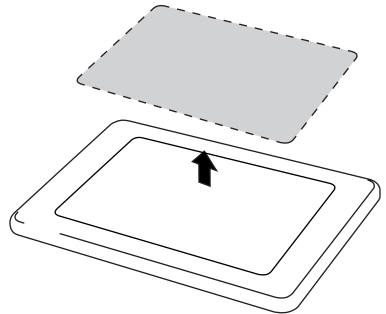
12 Place the instrument template onto the lid of the SPOD.



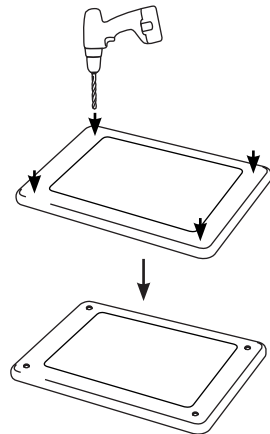
13 Trace the template with a pen.



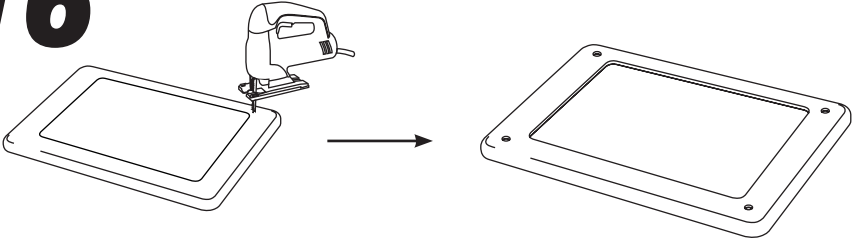
14 Remove the template from the lid.



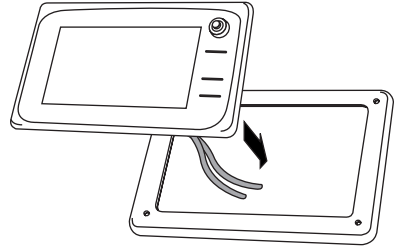
15 Drill the mounting holes for your instrument. Follow the manufacturer's instructions for this.



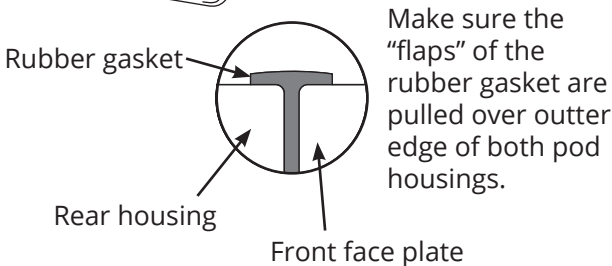
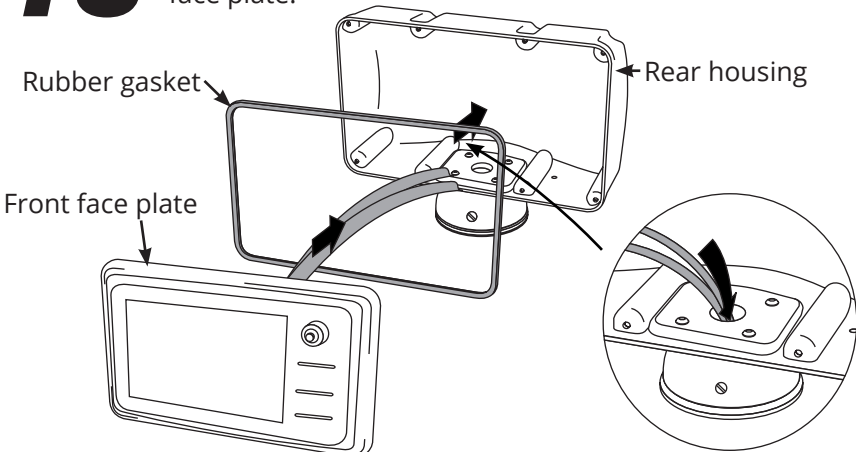
16 Take a saw and cut the line that you marked in step #19.



17 Install the instrument and cables.



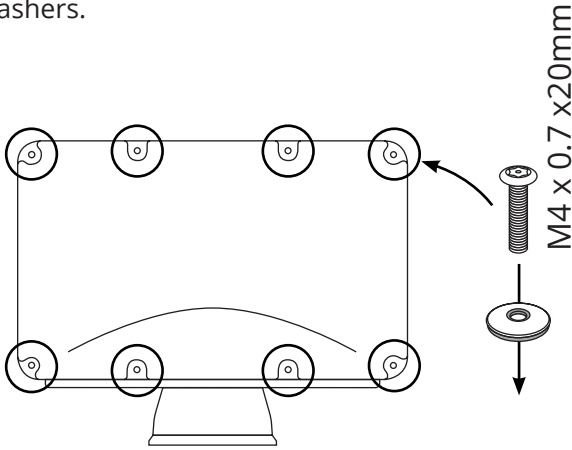
18 Install the rubber gasket and lid assembly on to housing. Note that the rubber gasket may already be installed onto the front face plate.



Make sure the "flaps" of the rubber gasket are pulled over outer edge of both pod housings.

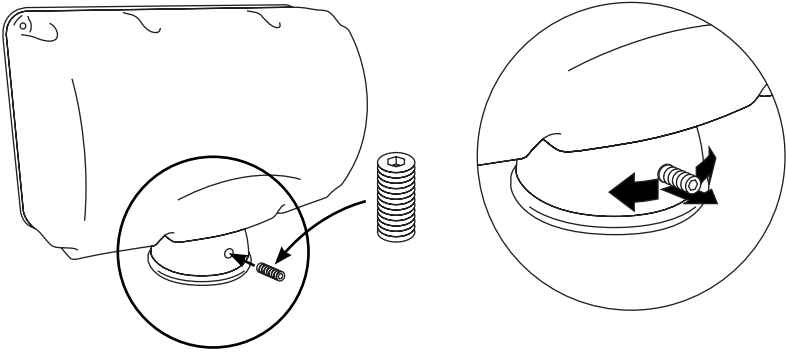
19

Secure the housing with the eight M4x0.7x20mm bolts and washers.



20

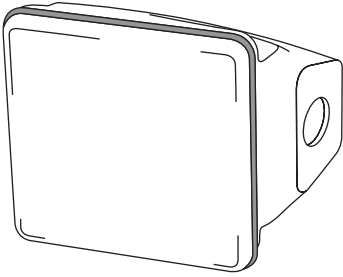
To swivel the Deck Pod loosen the locking screw and rotate the Deck Pod. Tighten the locking screw to lock the Deck Pod in place.



OPTIONAL ACCESSORIES

Call 800-655-7922 or visit www.seaviewglobal.com for available accessories.

ADD-ON SINGLE ACCESSORY POD



SP1-BOX

Gives you the flexibility to mount additional instruments to DPOD.

THIS PAGE INTENTIONALLY LEFT BLANK.

THIS PAGE INTENTIONALLY LEFT BLANK.

The background of the entire page is a light gray topographic map with white contour lines. The lines are irregular and wavy, representing terrain elevation. The map covers the entire page, with the text elements overlaid on it.

SEAVIEW//
ELEVATE YOUR ELECTRONICS

SEAVIEW//

Tel: 800-655-7922
www.seaviewglobal.com

EUROPEAN OFFICE

Tel: +33 4 94 53 27 70
www.seaviewprogress.com

2-120118